

Sartopure PP2

The particle removing polypropylene pleated depth filter cartridges and capsules

Major Applications

Sartopure PP2 filter cartridges and capsules are constructed with polypropylene depth filter media for the removal of particles and microorganisms from liquids and gases. These filters are ideally suited for the clarification and prefiltration of solutions prior to membrane filtration.

- Prefiltration of Pharmaceutical Products - SVP's and LVP's
- Particle removal filtration from DI Water systems
- Removal of particles from chemicals and solvents
- Particle removal filtration of air and compressed gases
- Prefiltration of biological solutions

Product Profile

Sartopure-PP2 filters combine multiple layers of progressively finer pleated non-woven polypropylene depth filter material. The polypropylene layers are thermally bonded to ensure against fiber release.

All materials of construction for the Sartopure PP2 filter cartridges and capsules are polypropylene. Therefore these filters have an extremely broad chemical compatibility range for the filtration of a wide variety of solutions, from DI water to solvents to aggressive chemical solution.

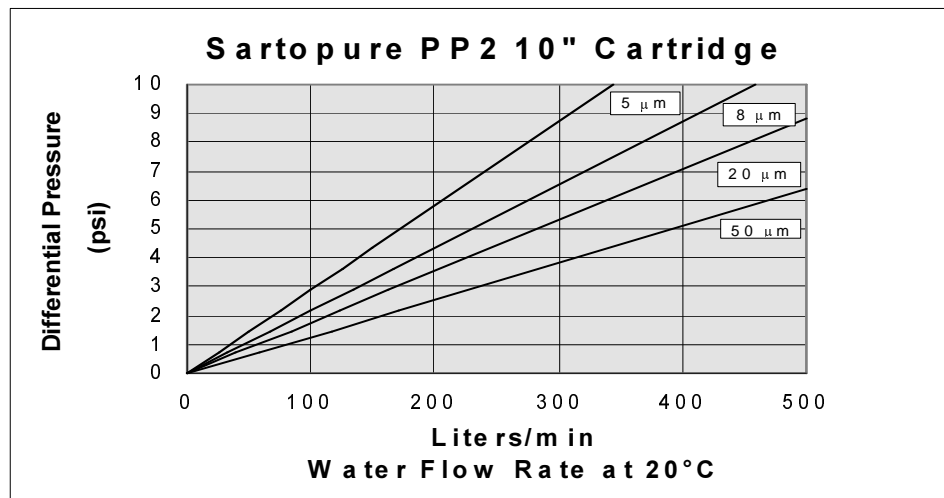
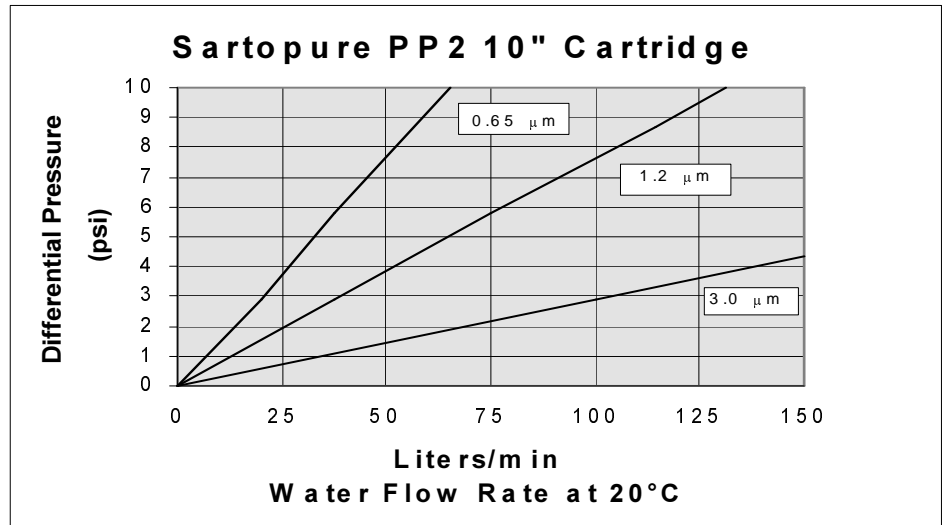
Increase Total Throughput

Due to the fractionated layers of progressively finer depth filter layers, the Sartopure PP2 filters offer high dirt loading capacities with long service life. Extremely high flow rates with low differential pressures make these filters an excellent choice as prefilters for final membrane filter cartridges.

Quality Product

All materials have passed the current USP Class VI Plastics Test and all filtrates meet or exceed the requirements for Water for Injection with respect to total solids, oxidizable substances, particulate release, ammonia,

chloride, nitrate, sulfate and heavy metals. Complies with cGMP requirements for non-fiber releasing filters and is filed under the Drug Master File Number DMF 5967 by the Food and Drug Administration. Full validation information is available.



Materials of Construction

Filters	Polypropylene	End Caps	Polypropylene
Support Layers	Polypropylene	Capsule	Polypropylene
Cage	Polypropylene	O-Rings	Silicone*
Core	Polypropylene		

*EPDM and Viton O-rings are also available. Add an E or V to the part number

Technical Data

Filtration area, standard cartridges	6.5 to 8 ft ² per 10" element, (depending on retention rating)
Filtration area, standard capsules and mini-cartridges	1/3, 1/2, 1, 2, and 5 ft ² filter capsules and 2 ft ² mini-cartridge are available
Maximum differential pressure	72 psi at 21°C (for cartridges) 29 psi at 121°C (for cartridges) 58 psi at 21°C (for capsules)
Maximum back pressure	44 psi at 21°C (for cartridges)
Sterilization:	In-line steaming (up to 30 psi inlet with max. differential pressure of 7 psi, 30 min.). Max. number of steam cycles = 100 Capsules cannot be in-line steam sterilized. Autoclaving (134°C, 30 psi, 30 min.)
Chemical compatibility:	See table in the Sartorius Validation Guide or contact Sartorius

Available types and Order Number: Sartopure-PP2 Filter Cartridges and Mini-Cartridges

Construction	Final Membrane Pore Size	Configuration			Mini-Cartridges (Box of 5) 2 ft ²
		1-high (10")	2-high (20")	3-high (30")	
Standard Cartridge					
Adapter Type (**)	(µm)				
21, 25, 26, 27	0.65	559**05P1	559**05P2	559**05P3	5591505P9B
21, 25, 26, 27	1.2	559**03P1	559**03P2	559**03P3	5591503P9B
21, 25, 26, 27	3.0	559**02P1	559**02P2	559**02P3	5591502P9B
21, 25, 26, 27	5.0	559**42P1	559**42P2	559**42P3	5591542P9B
21, 25, 26, 27	8.0	559**01P1	559**01P2	559**01P3	5591501P9B
21, 25, 26, 27	20.0	559**20P1	559**20P2	559**20P3	5591520P9B
21, 25, 26, 27	50.0	559**50P1	559**50P2	559**50P3	5591550P9B

Available types and Order Number: Sartopure-PP2 Capsules

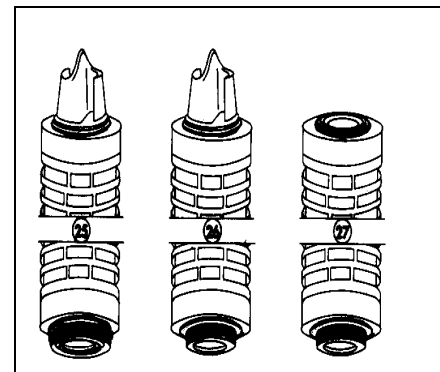
Final Pore Size (µm)	1/3 ft ² Capsules (Box of 5) Note - 1/4" HB connectors only	1/2 ft ² Capsules (Box of 5)	1 ft ² Capsules (Box of 5)	2 ft ² Capsules (Box of 4)	5 ft ² Capsules (Box of 2)
0.65	5591305P5OOB	5591305P7**B	5591305P8**B	5591305P9**A	5591305P0**V
1.2	5591303P5OOB	5591303P7**B	5591303P8**B	5591303P9**A	5591303P0**V
3.0	5591302P5OOB	5591302P7**B	5591302P8**B	5591302P9**A	5591302P0**V
5.0	5591342P5OOB	5591342P7**B	5591342P8**B	5591342P9**A	5591342P0**V
8.0	5591301P5OOB	5591301P7**B	5591301P8**B	5591301P9**A	5591301P0**V
20.0	5591320P5OOB	5591320P7**B	5591320P8**B	5591320P9**A	5591320P0**V

** To complete the capsule order number replace the asterisks with the appropriate two letter combination to indicate the inlet and outlet connectors. S - 1-1/2" Sanitary Flange, O - 1/2" Hose Barb, N - 1/4" NPT

Lit. #A-0015, Rev. 9/26/00

Focus On

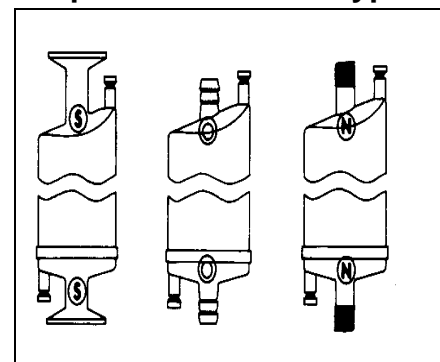
Scale-up



Cartridge Adapter Types

- 21 - Double Open End with gaskets (not shown above)
- 25 - (2) 226 O-rings, lock in tabs, S-adapter top
- 26 - (2) 222 O-rings, S-adapter top
- 27 - (2) 222 O-rings, flat top

Capsule Connector Types



S - 1-1/2" Sanitary Flange

O - 1/2" Hose Barb

N - 1/4" NPT

Headquarters:
Sartorius Corporation
131 Heartland Boulevard
Edgewood, NY 11717
1-800-368-7178 631-254-4249



sartorius