

Sartofluor Junior Filters and SartoJunior Housing

Sterile Air / Gas Filtration Applications

Major Applications

Sartofluor GA pharmaceutical grade junior cartridges are for sterile venting applications and the critical filtration of gases and solvents where adherence to cGMPs is a must.

Applications include:

- Sterile venting of tanks
- Sterile air filtration for filling equipment
- Fermentation air filtration
- Bioreactor inlet gas and outlet streams

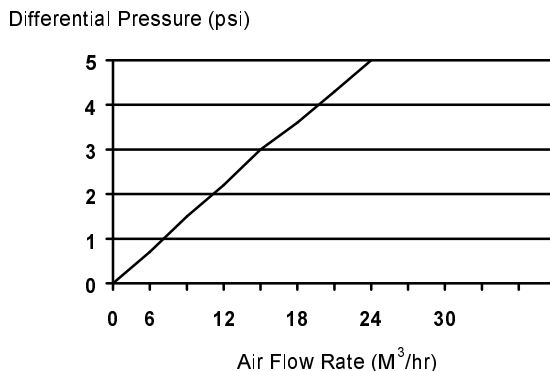
Sartofluor Junior cartridges are hydrophobic membrane filters and are available with 0.2µm PTFE membranes.

Product Profile

Sartofluor PTFE membranes require a minimum pressure of 65 psi to wet out with water. This makes PTFE twice as hydrophobic as either PVDF or polypropylene filter membranes. Sartofluor is especially suited for applications where membrane blockage due to moisture can be a problem.

All materials have passed the current USP Class VI Plastics Test and all filters meet or exceed the requirements for Water for Injection with respect to total solids, oxidizable substances, particulate matter and complies with cGMP requirements for non-fiber releasing filters and is filed under the Drug Master File 5967 by the Food and Drug Administration.

Cartridge Air Flow Rates at Atmospheric Pressure



Materials of Construction

Membrane Filters	PTFE	Core	Polypropylene
Up and Downstream Support	Polypropylene	End Caps	Polypropylene
Outer Support	Polypropylene	O-Rings	Silicone*

* EPDM and Viton O-Rings are also available. Add an E or V to the part number.

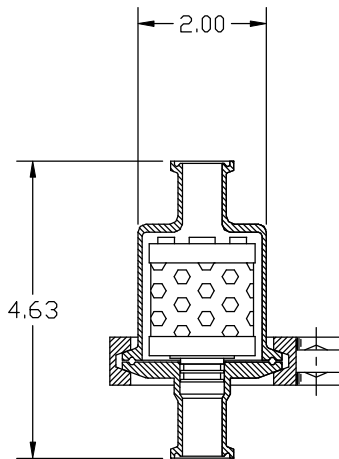
Features	Benefits
PTFE requires a minimum pressure of 65 psi to wet the membrane with water.	Highly hydrophobic membrane prevents filter blocking with water.
Low differential pressures at high air flow rates.	Allows for smaller air filtration systems sizing with high air flow requirements.
Integrity Tests, such as the alcohol based Bubble Point are correlated to the ASTM Bacterial Challenge Test.	Sartofluor can be used in processes where vent filters are currently tested with alcohol.
PTFE membranes, offer the widest range of chemical compatibility coupled with the high resistance of polypropylene.	Can be used for the filtration of aggressive chemicals and solvents.

Technical Data

Filtration area:	500 cm ²
Maximum differential pressure:	75 psi at 68°F (20°C) 7 psi at 273°F (134°C) 22 psi at 250°F (121°C) 7 psi at 284°F (140°C)
Maximum back pressure:	45 psi at 68°F (20°C) 7 psi at 273°F (134°C) 10 psi at 250°F (121°C) 7 psi at 284°F (140°C)
Sterilization:	Autoclaving 250°F (121°C) at 14.5 psi, 30 min.
(Max = 150 cycles)	In-line steaming (up to 30 psi inlet with max. differential pressure of 7 psi, 30 min.)
Integrity test data:	Min. Bubble Point value (60% IPA) ≥ 15 psi Max Diffusion ≤ 2ml/min at 10psi test pressure
Chemical compatibility:	See the Sartorius Validation Guide or contact Sartorius Corporation

SartoJunior Housing

NOTES AND SPECIFICATIONS



1. Design Parameters

ASME Code:	Non-Coded Vessel
Temperature & Pressure Rating:	150 PSIG at 300°F
Corrosion Allowance:	None
Hydrostatic Test:	225 PSIG

2. Material of Construction

All Wetted Metal Surfaces:	316L
Clamp:	316L
Gaskets:	Silicone

3. Finish I.D. to 25 u in. Ra and Electro-Polish

4. Finish O.D. Satin Electropolished

5. Head Clearance Required to Remove Bell: 3.0 in.

6. Gasket Seating Dimensions Meet or Exceed Industry Standards

7. High Strength Stainless Steel Three Segment Clamp

8. Gasket Materials Meet Requirements of FDA, Title 21, Paragraph 177.2600 as a Direct Contact Material with Food and Pharmaceutical Products

9. Each Housing is Etched with its Own Serial # for Traceability

10. 3/4" Sanitary Ferrule Inlet Outlet

Ordering Information

Sartofluor Junior Cartridge: P/N 5181407T7-----B
(B=Box of 5)

SartoJunior Housings: P/N HU10GJIX55Q0S

Headquarters:
Sartorius Corporation
131 Heartland Boulevard
Edgewood, NY 11717
1-800-368-7178 631-254-4249

Literature # A-0014, Rev. 06/01

Focus On

Scale-up



sartorius